

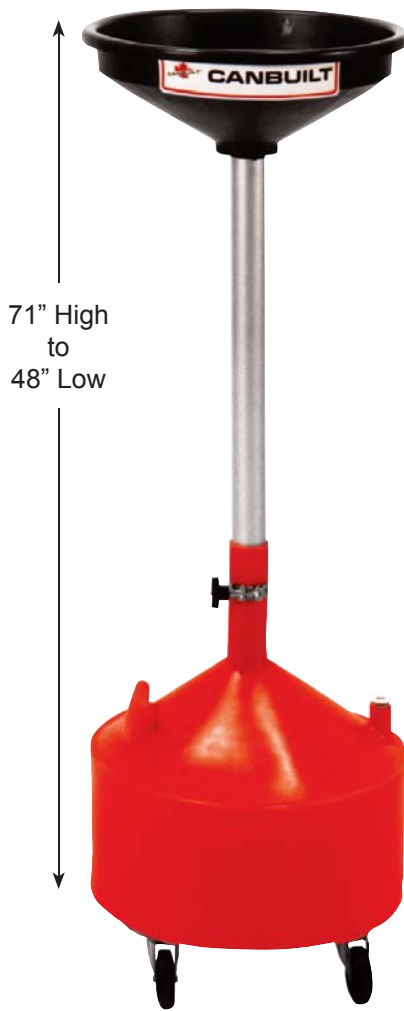


CANBUILT MFG.

Toll-Free in Canada: 1-888-607-2926 Phone: 416-749-6555 Fax: 416-749-7597
Email: sales@canbuilt.com Website: www.canbuilt.com

103 Milvan Drive,
Toronto, Ontario,
Canada, M9L 1Z7

ROLLING OIL DRAINS



MODEL # DR-080

- 18" Plastic bowl c/w strainer screen
- 30Ltr Polyethylene container
- Polyethylene body is translucent to view waste oil level
- Hand grips on bottom for ease of evacuation
- 4 - 2 1/2" full swivel casters
- All Steel down tube with all position lock



MODEL # DR-195

- 18" Plastic bowl c/w strainer screen
- 80 Ltr Polyethylene container
- 3/4" gravity evacuation valve
- 2" access port to install pump if desired
- Hand grips on bottom for ease of evacuation
- 4 - 2 1/2" full swivel casters
- All Steel down tube with all position lock



MODEL # DR-790

- 18" steel bowl c/w splash guard and strainer screen
- H.D. steel down tube with all position lock
- 60Ltr steel drum with 3/4" gravity
- drain valve and gauge stick
- H.D Wide track 4 swivel caster dolly 3" Wheels

QUALITY • PERFORMANCE • LONGEVITY