



## HEAVY DUTY REELS

**50' HOSE LENGTH**  
STANDARD ON ALL  
CANBUILT REELS

# For Industrial, Fleet & Automotive Applications

- Built on heavy steel plate, double arm with ribbed design for added strength and rigidity. Ideal for industrial fleet & automotive applications
- Low Profile designed space saver without compromising hose length
- Ball bearings swivel joint structure reduces friction during use



Note:  
Control Handles  
sold separately

**AIR/WATER REEL**  
Model # AR-5038  
Regular \$527.14

**APRIL**  
**\$499.00**  
Special



Note:  
Control Handles  
sold separately

**GREASE REEL**  
Model # GR-5014  
Regular \$567.00

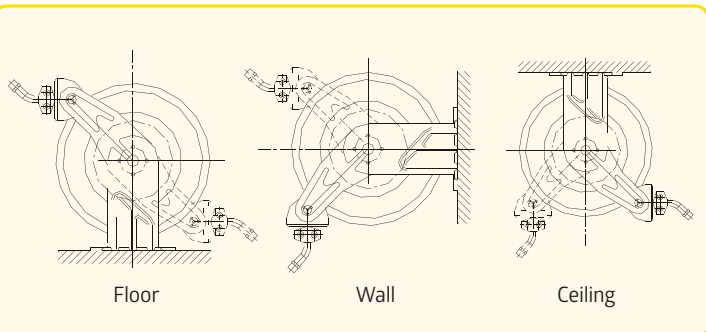
**APRIL**  
**\$529.00**  
Special



Note:  
Control Handles  
sold separately

**OIL REEL**  
Model # LR-5012  
Regular \$640.99

### MOUNTING OPTIONS



### HOSE REELS SPECIFICATIONS

Model	AR-5038	LR-5012	GR-5014
Application	Air / Water	Oil	Grease
Inlet/Outlet	3/8"	1/2"	1/4"
Max Pressure	300 PSI	2000 PSI	5000 PSI
Hose ID	3/8"	1/2"	1/4"
Hose Length	50' feet standard		