



CANBUILT MFG.

Toll-Free in Canada: 1-888-607-2926 Phone: 416-749-6555 Fax: 416-749-7597
Email: sales@canbuilt.com Website: www.canbuilt.com

103 Milvan Drive,
Toronto, Ontario,
Canada, M9L 1Z7

HYDRAULIC SHOP PRESS

PRODUCT FEATURES:

- Press pins designed to lock in behind bed
- Bolted together in all areas of stress using Gr. 8 high tensile bolts
- Allows cost effective replacement of damaged parts
- Jack retracts automatically when valve released.
- Return Springs mounted inboard for safety
- Electrostatically coated and oven baked for a durable finish.

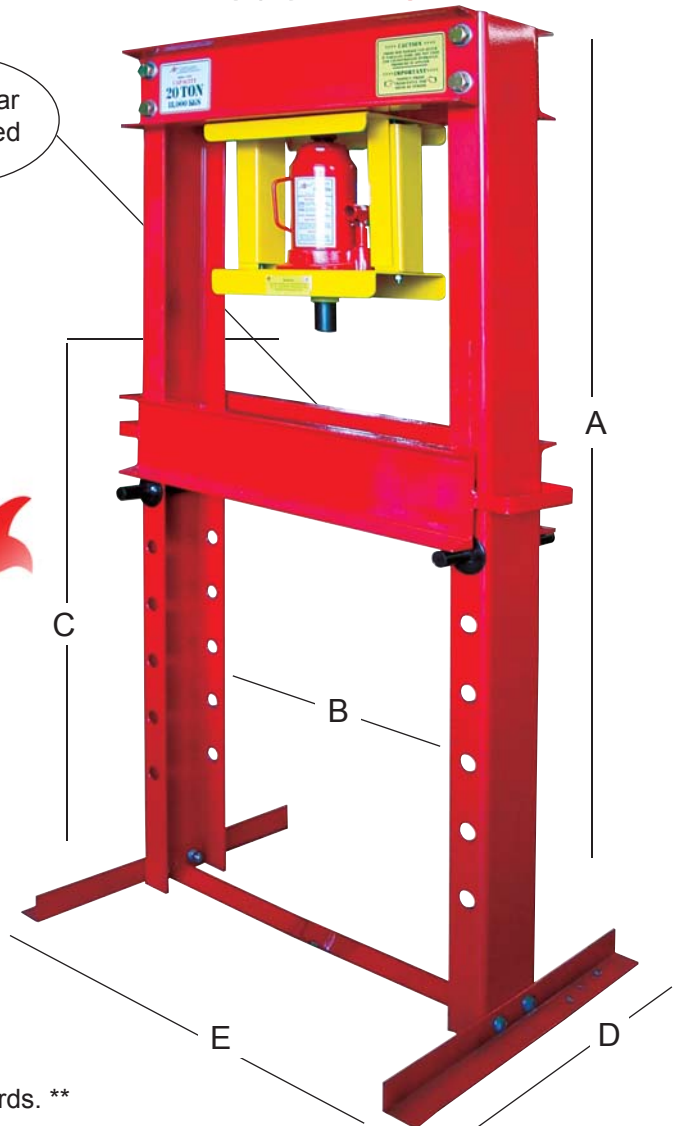
PRESS MODELS

- **20TF** 20 Ton Frame Only
- **20TB** 20 Ton Frame c/w 20 ton bottle jack
- **20TAP** 20 Ton c/w Air/ Manual Hydraulic

DUAL CONTROL AIR / MANUAL Model # 20TAP

- 90 P.S.I. operating pressure
- Jack can be used either manually or with air
- Low noise, high flow rate for maximum performance
- Safety bypass to prevent ram launch
- Pump includes: air hose, with standard quick coupler

Model # 20TAP



6 1/2" Clear through bed



Model # 20TFSG Optional Safety Guard



FRAME SPECIFICATIONS: ** Manufactured to A.S.M.E. Standards. **

Model #	Clear in Bed	'A' Spec	'B' Spec	'C' Spec	'D' Spec	'E' Spec	Ship Weight
20TF	6 1/2"	65"	24"	2" - 36"	24"	31"	300 lbs

GUARD AND BRACKET SPECIFICATIONS:

Model #	Screen Dimensions	Bracket dimensions	Ship Weight
20TFSG	20 1/2" H X 20 1/2" W	2 1/2" W X 6"H X 5"L (Set of 2)	15 lbs

QUALITY • PERFORMANCE • LONGEVITY



CANBUILT MFG.

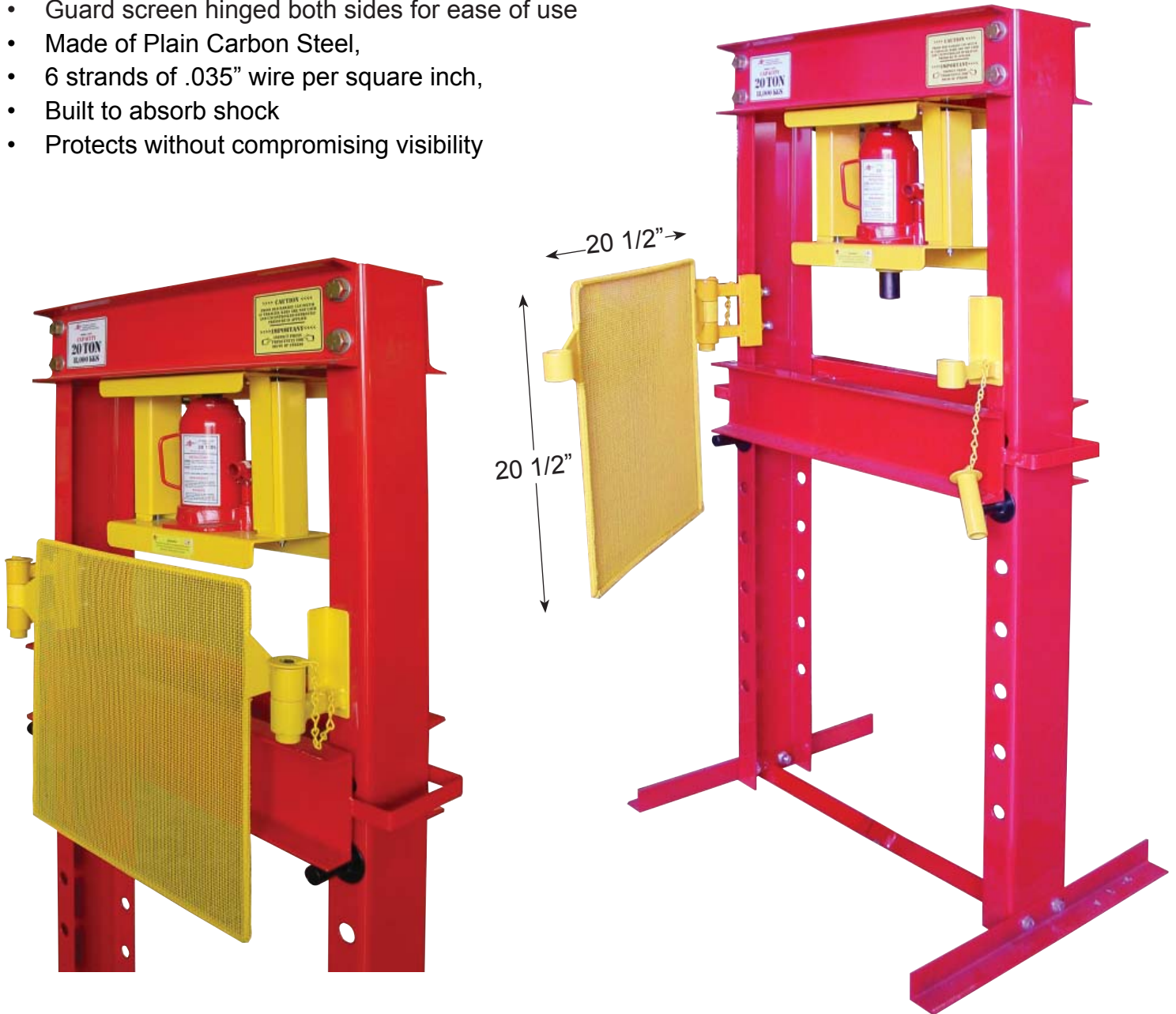
Toll-Free in Canada: 1-888-607-2926 Phone: 416-749-6555 Fax: 416-749-7597
Email: sales@canbuilt.com Website: www.canbuilt.com

103 Milvan Drive,
Toronto, Ontario,
Canada, M9L 1Z7

20T PRESS SAFETY GUARD

**OPTIONAL accessory for Canbuilt's 20 Ton Press Frame.
However, strongly recommended for the safety of the operator.**

- All steel welded construction
- Easy installation - Locks in place with 4 bolts
- Guard screen hinged both sides for ease of use
- Made of Plain Carbon Steel,
- 6 strands of .035" wire per square inch,
- Built to absorb shock
- Protects without compromising visibility



Model # 20TFSG
Safety Guard for 20 Ton Press

QUALITY • PERFORMANCE • LONGEVITY