

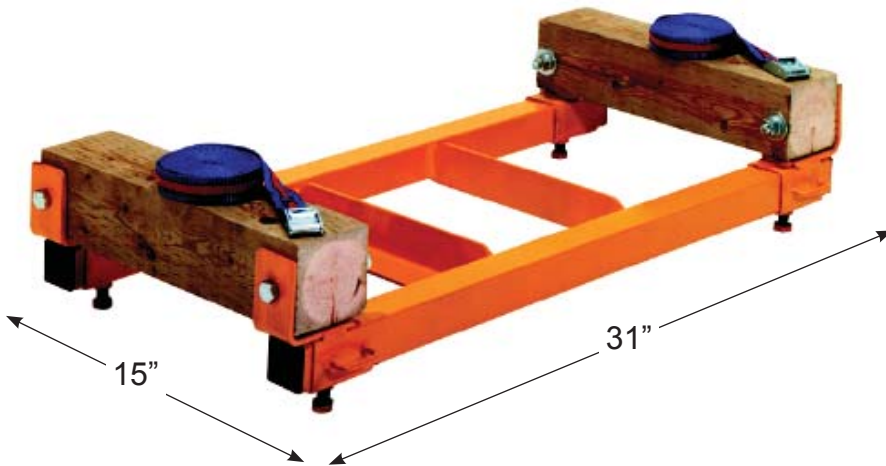


CANBUILT MFG.

Toll-Free in Canada: 1-888-607-2926 Phone: 416-749-6555 Fax: 416-749-7597
Email: sales@canbuilt.com Website: www.canbuilt.com

103 Milvan Drive,
Toronto, Ontario,
Canada, M9L 1Z7

TRANS-AXLE, GAS TANK ADAPTER



Model # **LS-1000**

Trans axle, Gas tank Adapter

- Bolts up to transmission plate adapter on Model # **5250**
- c/w ratcheting tie down straps
- 31" x 15" wide
- 9 3/4" adjustment slide per side

Model # **5250**

Articulating Leveling Platform for Model # **5200**

- A fully articulated manipulator platform designed for one handed side to side and fore / aft adjustment for tilt
- Comes complete with corner adjustable brackets, tie down chain and hardware to secure the load



QUALITY • PERFORMANCE • LONGEVITY



Arc Lifting Standard Crane for Lifting OVER
5200

82"

More than just a crane, The Lift System can be dressed with options and setup to perform a wide variety of lift applications. Power Arm with accessories for multifunctional jobs

Special crown tread wheels with dust bearings provide High Mobility for ease of movement and positioning.

Flow through base allows legs to be telescoped backwards.

Dual Control: Air / Manual Hydraulics with upgraded lever release for absolute hydraulic control



5200

Quick change to POWER ARM FLIP-OVER Tool holder



Parallel lift for OVER / UNDER applications

67" High
24" Low

POWER ARM: An extra arm for the operator with a lifting range of: 67" High - 24" Low



For loads up to 500 - 800 lbs in most applications



Special Application Horizontal Boom adapter for high-low configuration

Up Position

Adapter will flip for High / Low Lifts

Down Position

5260

Accessories / Options

Available counterbalance provides the ability to lift where the lift point is extended past the front wheels



5280

Available as a single counterbalance unit or stack 2 for more weight

Skid Spreader Option



48"

3200 SSL

Skid Spreader reduces all capacity by 20%

Articulating leveling platform



5250